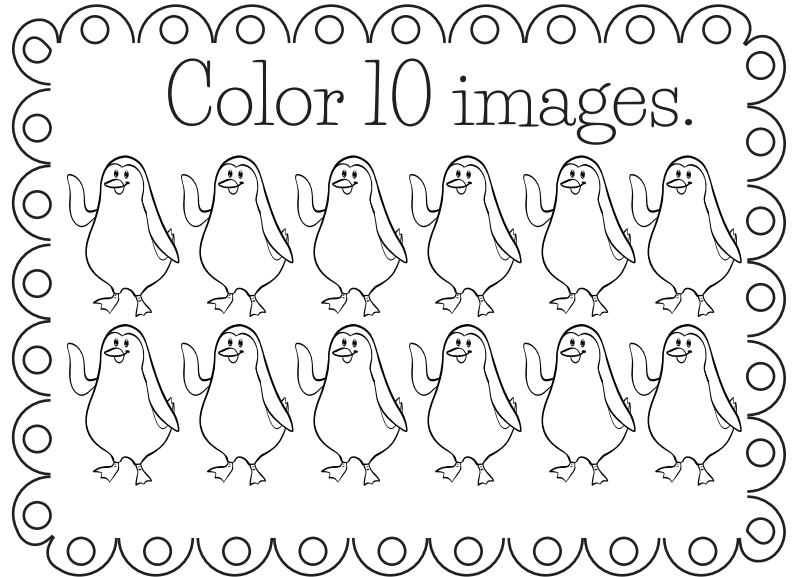
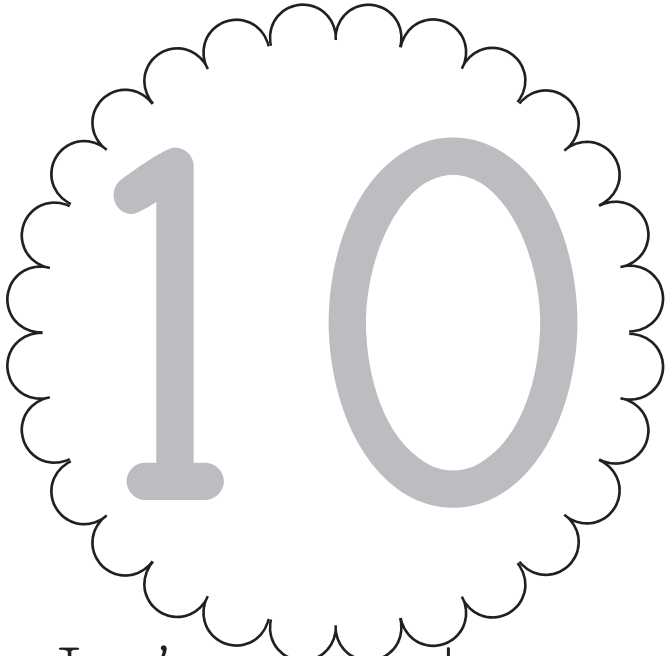
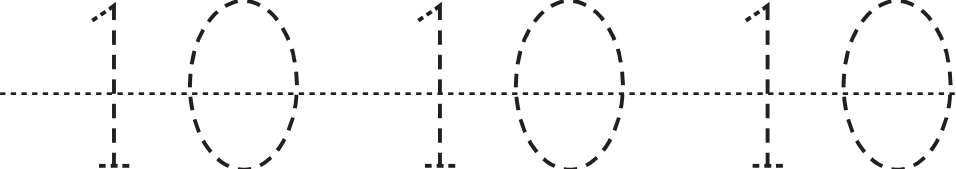



# Number Ten Worksheet

Name \_\_\_\_\_



Let's trace it!

	You try it!
	You try it!

Circle the box with ten images.

