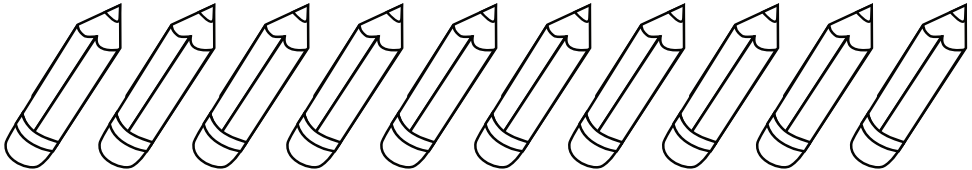

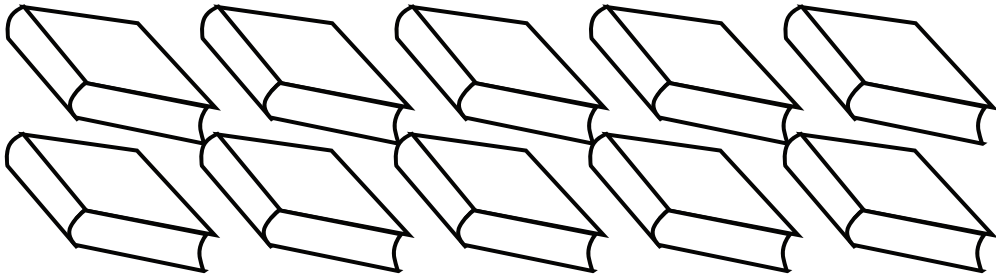

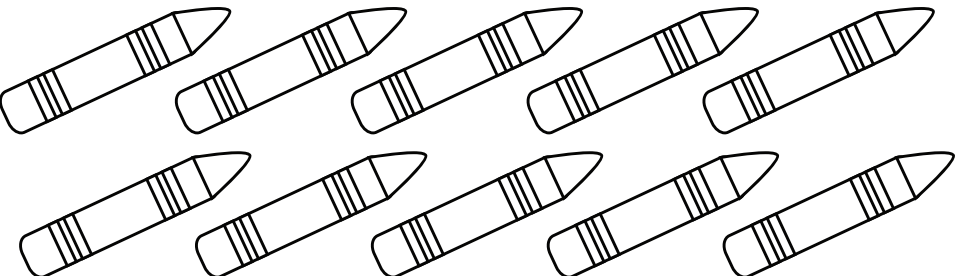



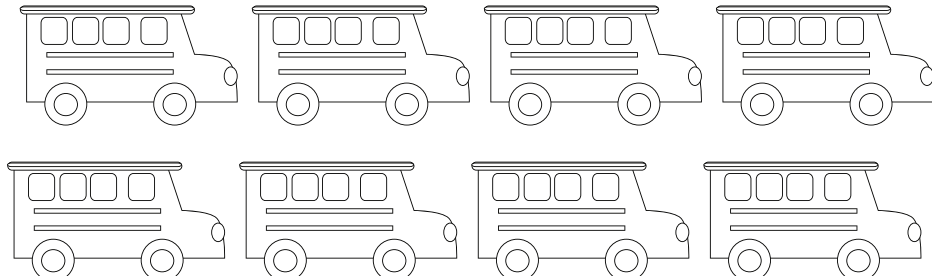

Name _____

Count and color the number of school items to match the number on the right. Trace the numbers.

	
--	---

	
---	---

	
--	---

	
--	---