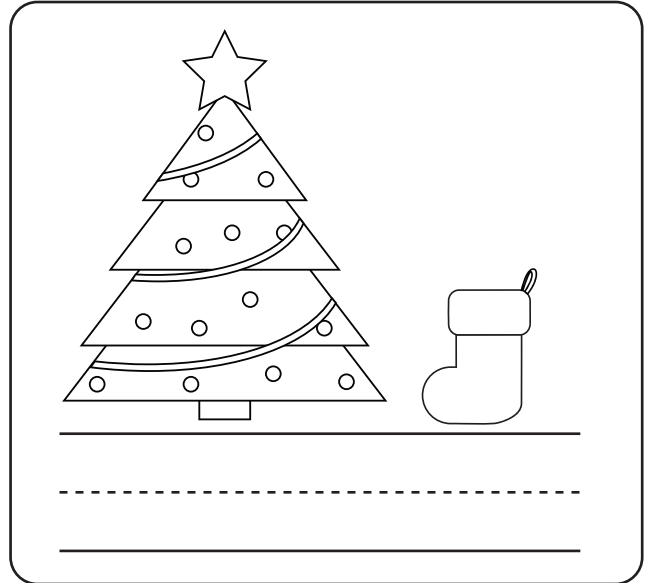
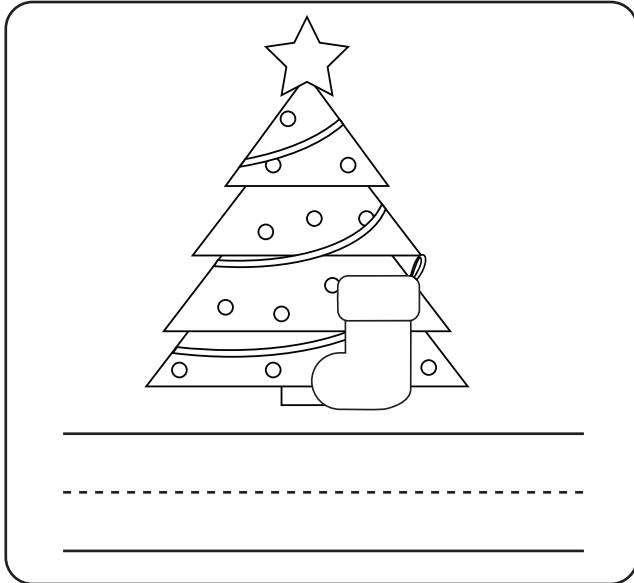
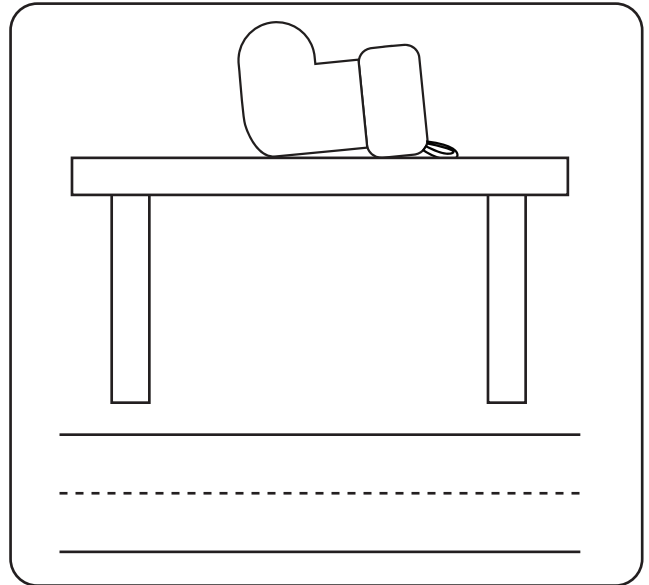
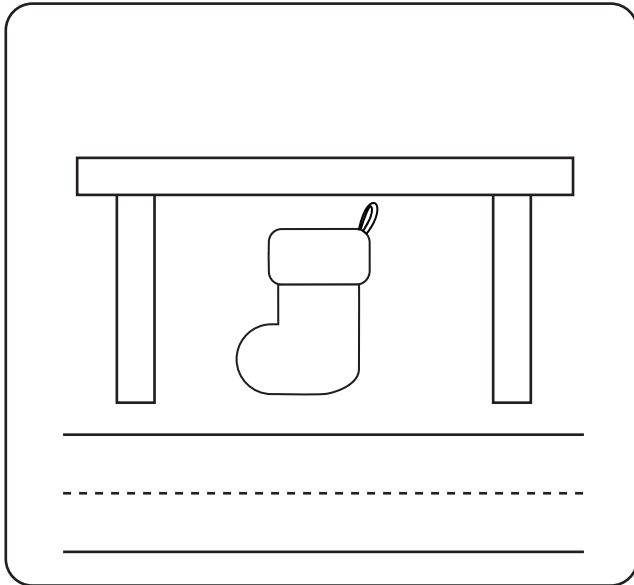


Name \_\_\_\_\_

Where are the stockings? Pick the correct word from the word box and write it underneath each image.



Word Box  
in front of, on, under, next to