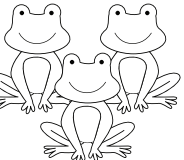
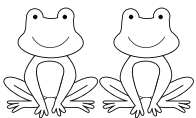
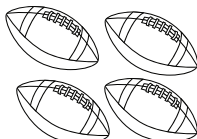
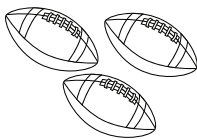
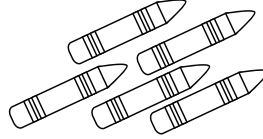
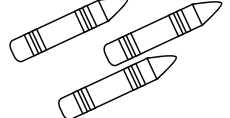


Count the images. Write the number of images in the boxes above each image and write the total number in the last box. The first one is done for you.

3	+	2	=	5
				

	+		=	
				

	+		=	
				

	+		=	
